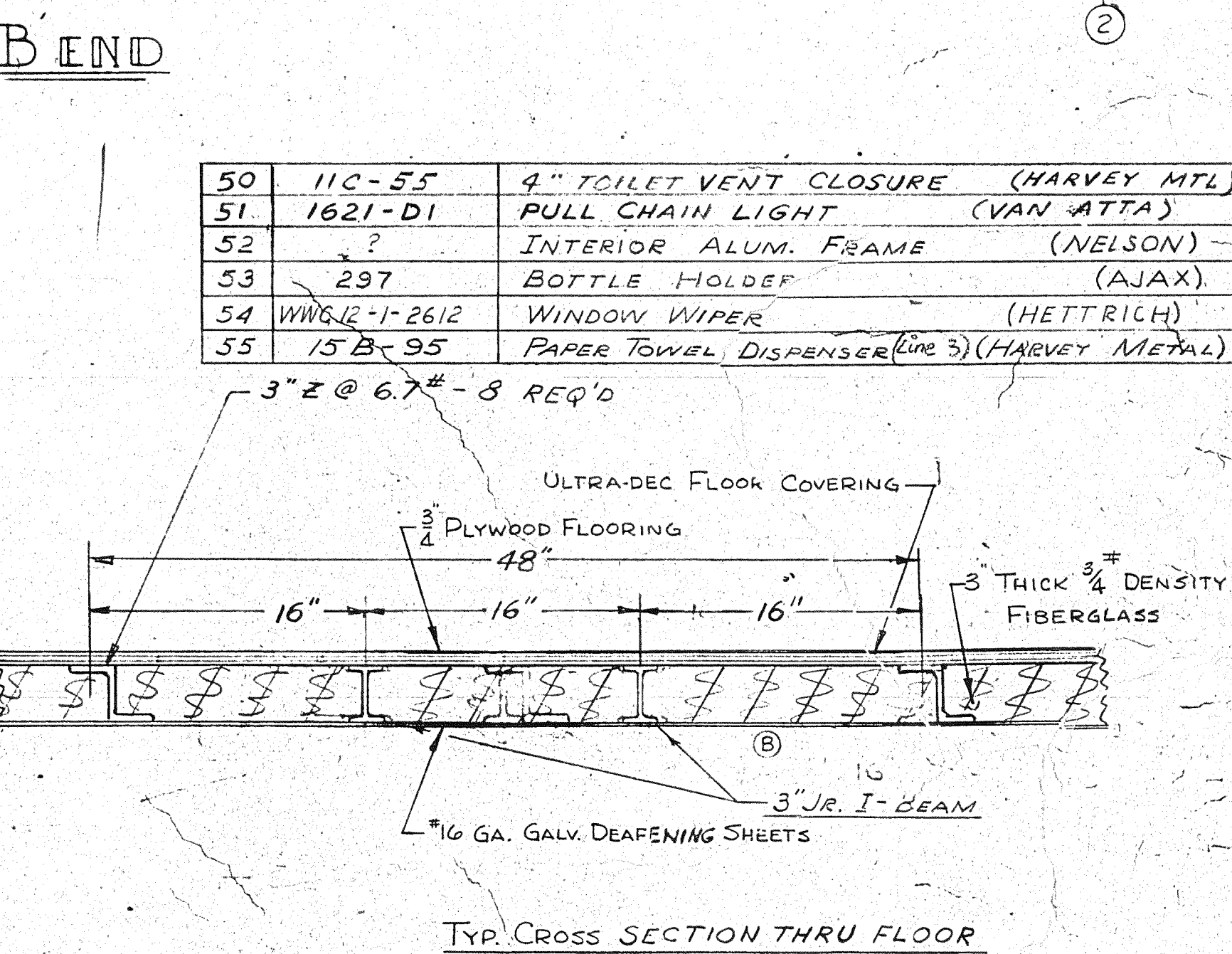
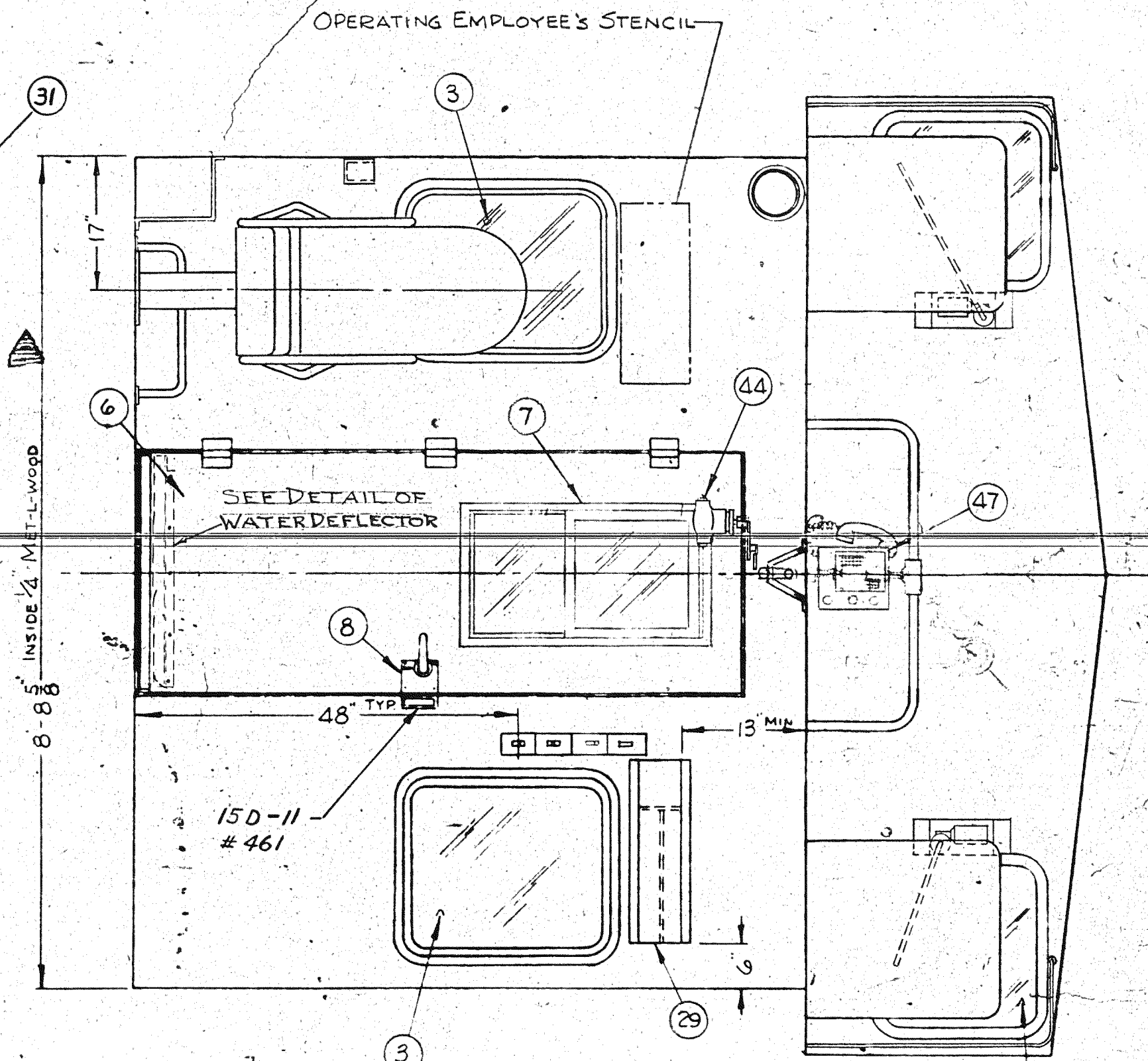


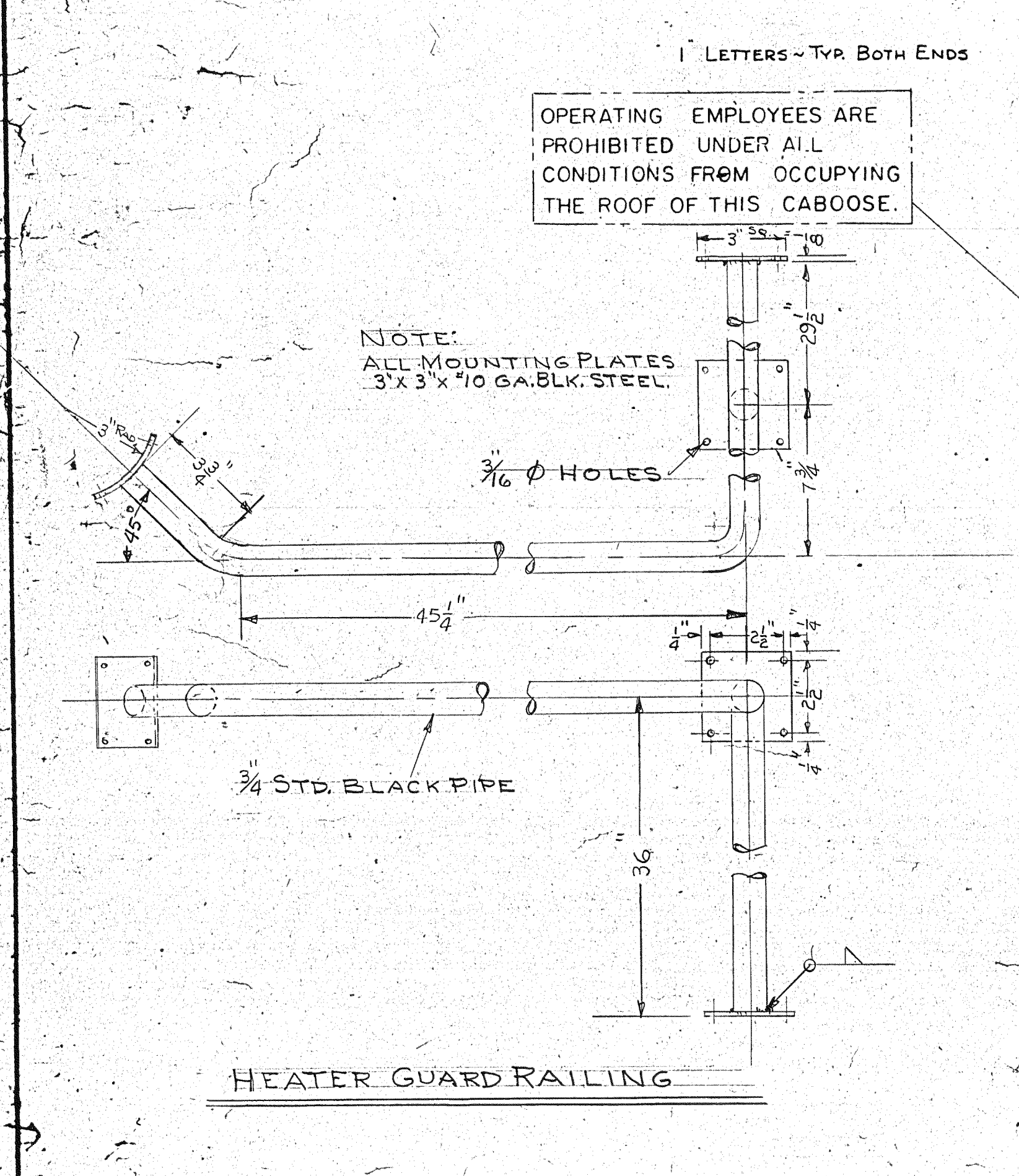
(A) NOTE: ALL SASH GLAZED  $\frac{3}{16}$  LEXAN MR-4000 OUTSIDE,  $\frac{3}{32}$  SAFETY GLASS INSIDE.

ITEM	MARK	DESCRIPTION	REQD
1	C-3700-37	SLIDING SASH-20"x22" - DOUBLE GLAZED (NELSON)	2
2	C-2700-27	FIXED SASH - BREATHER TYPE - 20"x20" (NELSON)	4
3	C-2700-27	FIXED SASH - 20"x24" - BREATHER TYPE - (NELSON)	3
4	C-2900-30	RAISE SASH-24"x20" - DOUBLE GLAZED - (NELSON)	3
5	MODEL AD	ELECTRIC GENERATOR - 3 KW (WITTE)	1
6	S-1595	END DOOR (MET.-WOOD)	2
7	C-1700-19	END DOOR SASH - UPPER DOOR LOWER STA. 75" ST. SKR	2
8	2575	END DOOR LOCK (J.L. HOWARD) $\frac{1}{2}$ " L.H. #3888 KEY	2
9	6283-S-84	LIQUID LEVEL DIAL GAUGE (ROCHESTER)	1
10	1112-1	STAINLESS STEEL LAVATORY (MINK)	1
11	15B-67	66 GAL CAPACITY GALV. WATER TANK (WOOD IND.)	1
12	LF-300	AIR OPERATED ST. ST. TOILET (COLORATOR HOLDING TANK)	1
13	705	TOILET TISSUE HOLDER (CROWN)	1
14	CE E-1	WATER COOLER - 115 V. ELECTRIC $\frac{1}{2}$ GAL. PLASTIC BOTTLE (DASH)	1
15	1475300	WALKOVER SEAT (COACH & CAR)	2
16	A-9747-D-2	CABOOSE SEAT (COACH & CAR)	2
17	2BA-6415	SEAT BELT (SEARS) - RETRACTOR	4
18	17306153-01	FORCED AIR HEATER - NEW DESIGN (VAPOR) 12 VOLT	1
19	1A-25A	OIL FILTER (GENERAL)	1
20	T-1000	AIR GAGE - $3\frac{1}{2}$ " SINGLE POINTER (ASHCROFT)	1
21	T-50 AMP	LOAD CENTER - 12 VOLT SYSTEM	1
22	F-228-1	CEILING LIGHTS (TRANSILITE) 120 VOLTS	4
23	92435	DESK LIGHT (TRANSILITE) 120 VOLTS	1
24	30 AMP	LOAD CENTER - (115 VOLT SYSTEM)	1
25	Stock	COAT HOOKS	17
26	SK-B-57	ASH CAN HOLDER	6
27	228	VENT ALARM	1
28	PDC-20	FIRE EXTINGUISHER $\frac{1}{2}$ 74910 MFG. BRKT. (FVR-EXTER)	1
29	15B-56	FUSEE & TORPEDO RACK (HARVEY METAL)	2
30	9B-25-LINE 4	FOOT REST (CARBUILDER)	4
31	9B-25-LINE 3	FOOT REST (CARBUILDER)	1
32	15D-32	CONDUCTORS DESK (STATIONARY DRAWER (CARBUILDER)	1
33	13D-67	SEAT 2" W/LET LIFT & STORAGE BELOW (CARBUILDER)	1
34	15D-31	50 GAL FUEL OIL TANK (CARBUILDER)	1
35	460	FAUCET - $\frac{1}{2}$ MPT MARKED COLD (J.H. LEGGETT)	1
36	E-185	CUP DISPENSER (AWAK)	1
37	13C-80	STATIONARY CABINET (DRIFFLE # PS-1222)	1
38	Stock	RUBBER BUMPER	6
39	13C-72	STORAGE RACK FOR 2 (TWO) TWO GALLON BOTTLES	1
40	8A-81	10" HANDHOLD (CARBUILDER)	1
41	11B-95	WASTE CUP RECEPTACLE (Harvey Metal)	1
42	SK-2-19-73-4	BUNK CUSHION - 8" x 30" x 75" (GOSHEN)	1
43	726B	12 VOLT BATTERY (GLOBE UNION)	1
44		HYDRAULIC DOOR CLOSER (SECONDARY LATCH (NORTON)	2
45	511	$3\frac{1}{2}$ " DUPLEX AIR GAUGE (BEACON GAUGES)	1
46	83065	A-1 CONDUCTORS VALVE	1
47	19CA-1	CONTROL HEAD (WABCO)	1
48	84S-1A	HANDSET (WABCO)	2
49	2556-4-12	HOSE ASS'Y (AFRODIP)	3



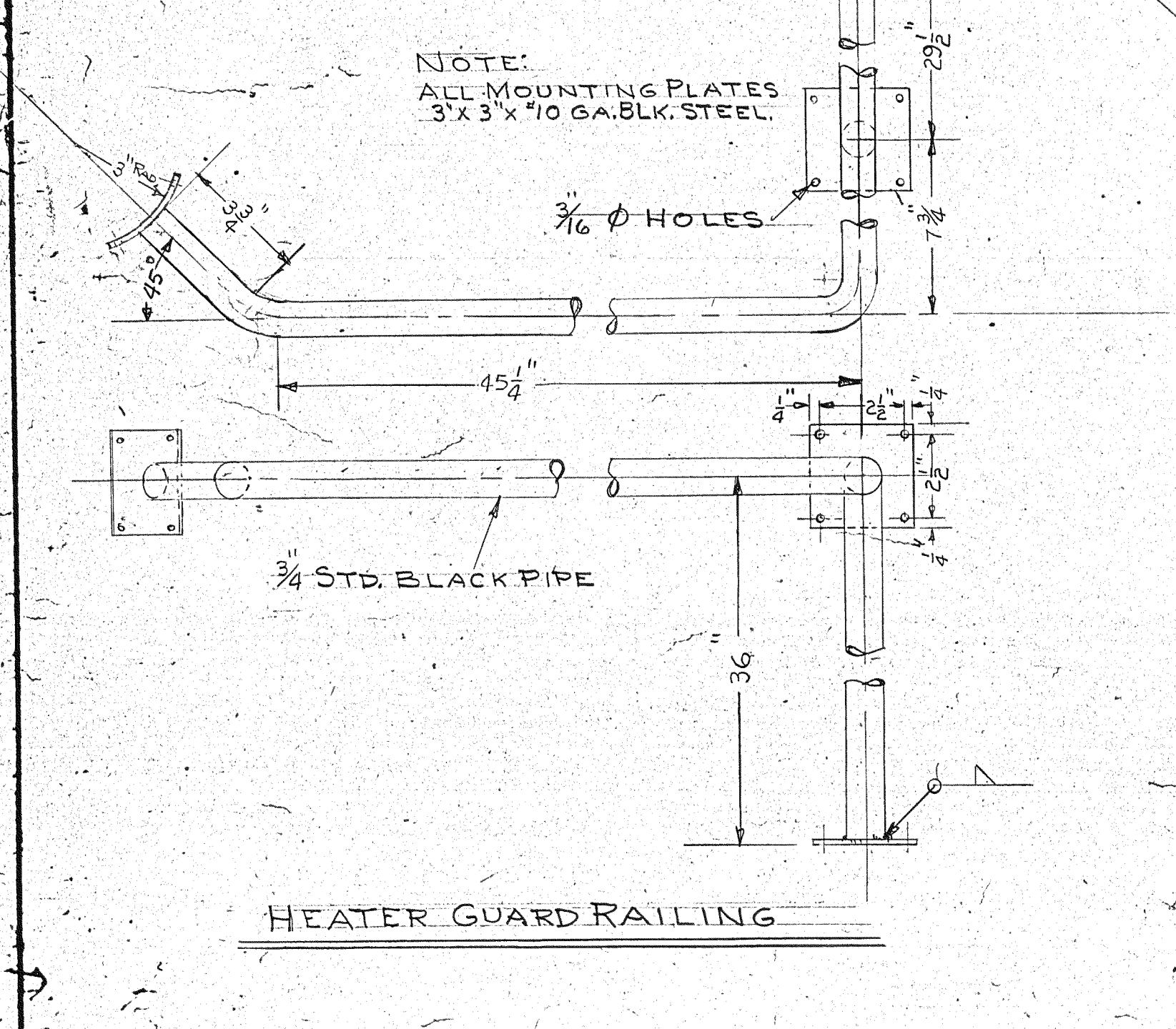
REV	DESCRIPTION	DATE	BY
N	ADDED HEATER GUARD RAILING	1/27/51	
M	CHANGED GRAB BRG	11/27	
L	ADDED NOTE	10/31	
K	ADD PAPER TOWEL DISPENSER	9/24/51	
J	Hinged Door Vent	6/1/51	
I	REMOVED ITEM #1	9/6/51	
H	REMOVED ITEM #1	9/6/51	
G	REMOVED ITEM #1	9/6/51	
F	32" W/54"	9/24/51	
E	GENERAL REVISIONS	9/24/51	

DRAWN BY: MUSTAIN  
 CHECKED BY: MUSTAIN  
 DATE: 1978  
 PROJECT: INTERIOR ELEVATIONS  
 SHEET: 8  
 SCALE: 3/4" = 1'-0"  
 INTERNATIONAL CAR CO.  
 KENTON, OHIO  
 196-91



LETTERS - TYP BOTH ENDS

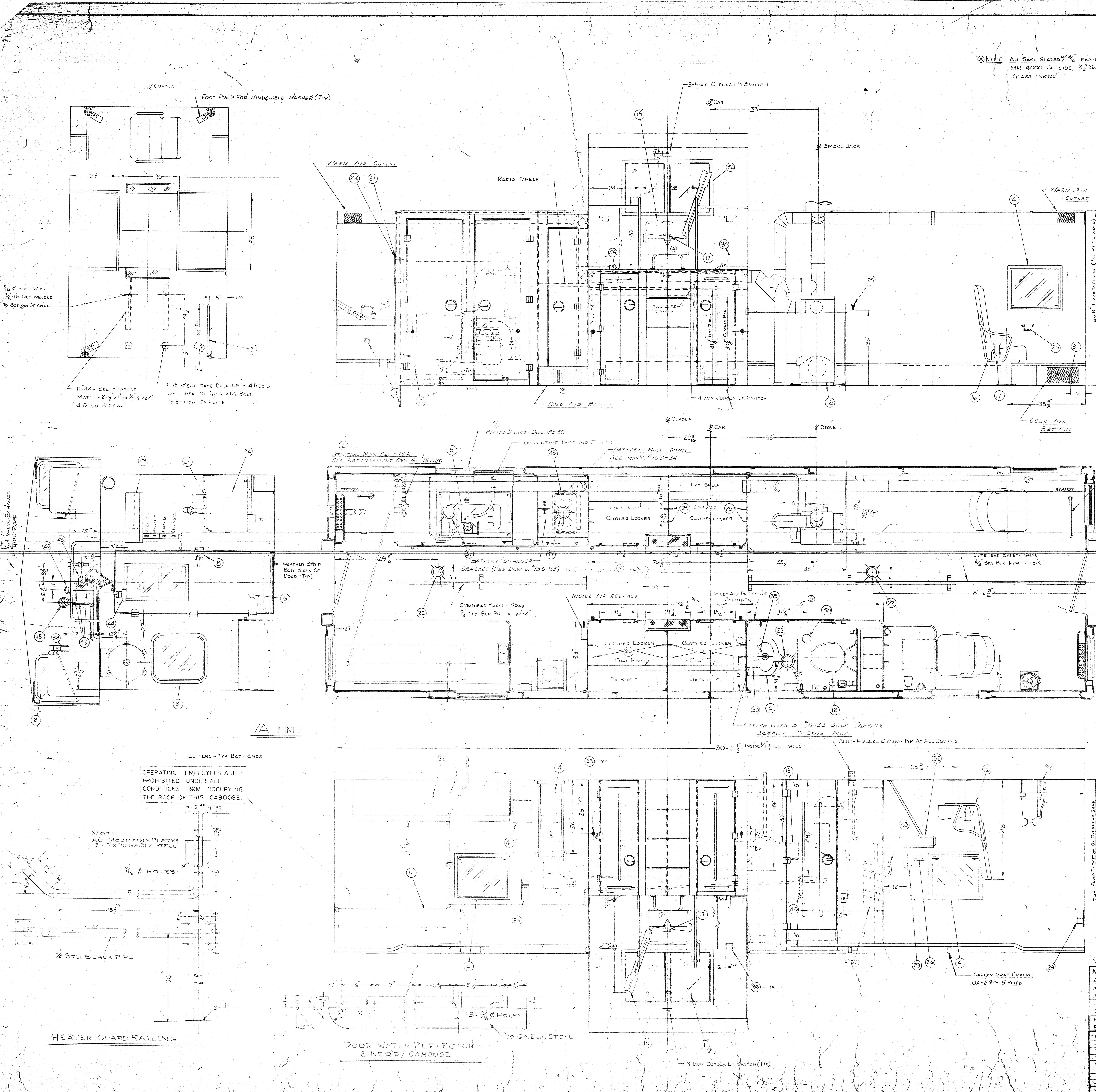
OPERATING EMPLOYEES ARE PROHIBITED UNDER ALL CONDITIONS FROM OCCUPYING THE ROOF OF THIS CABOOSE.











NOTE: ALL SASH GLAZED 3/8 LEXAN MR-4000 OUTSIDE, 3/2 SAFETY GLASS INSIDE

ITEM	MARK	DESCRIPTION	REQD
1	C-3700-37	SLIDING DASH-20"x20" - DOUBLE GLAZED (NELSON)	2
2	C-2700-27	FIXED DASH-BREATHING TYPE-20"x20" (NELSON)	4
3	C-2700-27	FIXED DASH-20"x20" - BREATHING TYPE (NELSON)	2
4	C-2700-27	FIXED DASH-20"x20" - DOUBLE GLAZED (NELSON)	2
5	MODEL AD	ELECTRIC GENERATOR 1/3 KW (WITTE)	1
6	S-1000	END DOOR (MET-L-WOOD)	2
7	C-1700-19	END DOOR CASH-12" DIA DISK LOWER STAY (MET-L-WOOD)	2
8	2575	END DOOR LOCK (J.L. HOWARD)	2
9	6223-5-54	LIQUID LEVEL DIAL GAUGE (ROCHESTER)	1
10	1112-1	STAINLESS STEEL LAVATORY (MINK)	1
11	158-27	66 GAL CAPACITY GALV WATER TANK (WOODRIDGE)	1
12	LP-300	AIR OPERATED ST. ST. TOILET / CHLORINATED HOLDING TANK	1
13	705	TOILET TISSUE HOLDER (CROWN)	1
14	WE-1	WATER COOLER - 115 V. ELECTRIC TO GAL. WATER BOTTLE (CROWN)	1
15	1475-300	WALKOVER SEAT (COACH & CAR)	2
16	A-9747-D-2	CABOOSE SEAT (COACH & CAR)	4
17	28A-6415	SEAT BELT (SEARS) / RETRACTOR	2
18	17306153-01	FORCED AIR HEATER - NEW DESIGN (VAPOR) 12 VOLT	1
19	1A-25A	OIL FILTER (GENERAL)	1
20	T-1000	AIR GAGE - 3 1/2" SINGLE POINTER (AIRCROFT)	1
21	50 AMP	4000 WATT 1/2 VOLT SYSTEM	1
22	F-228-1	CEILING LIGHTS (TRANSLITE) 150 VOLTS	4
23	92435	DECK LIGHT (TRANSLITE) 150 VOLTS	1
24	30 AMP	LED LIGHTER (115 VOLT SYSTEM)	1
25	Stock	COAT HOOKS	17
26	SK-B-57	ASH CAN HOLDER	6
27	228	VENT ALARM	1
28	PDC-20	FIRE EXTINGUISHER 7/4910 MFG BRNT. (EYE-EXTER)	1
29	15B-56	FUSEE & TORPEDO RACK (HARVEY METAL)	2
30	98-25-LINE 4	FOOT REST (CARBUILDER)	4
31	98-25-LINE 3	FOOT REST (CARBUILDER)	1
32	120-32	CONDUCTORS DESK 1/2" DRAWER (CARBUILDER)	1
33	130-37	SEAT 1/2" DRAWER (CARBUILDER)	1
34	100-31	1" GAL FUEL OIL TANK (CARBUILDER)	1
35	460	FAUCET - 1/2 MPT MARKED COLD (S.H. LEGGETT)	1
36	E-185	CUP DISPENSER (AJAX)	1
37	13 C-80	STAT. CUPINET (MILITARY) (PS-222)	1
38	Stock	1" RUBBER BUMPER	6
39	13C-72	STORAGE CABINET (MILITARY) (PS-222)	1
40	BA-81	15" TISSUE HOLDER (CROWN)	1
41	11B-85	WASTE CUP RECEPTACLE (HARVEY METAL)	1
42	SK-2-15-72-4	BUNK CUSHION - 2' x 30" x 75" (GOSHEN)	1
43	1200	12 VOLT BATTERY (GLOBE UNION)	1
44	511	HYDRAULIC DOOR CLOSER (SECONDARY LATCH) (NORTON)	2
45	82065	3 1/2" DUPLEX AIR GAUGE (BRACON GUARDS)	1
46	19CA-1	A-1 CONDUCTORS VALVE	1
47	BHS-1	CONTROL HEAD (WABCO)	1
48	BHS-1A	HANDSET (WABCO)	2
49	2556-4-12	HOSE ASS'Y (AFROQUIB)	3

LETTERS - TYP BOTH ENDS  
OPERATING EMPLOYEES ARE PROHIBITED UNDER ALL CONDITIONS FROM OCCUPYING THE ROOF OF THIS CABOOSE.

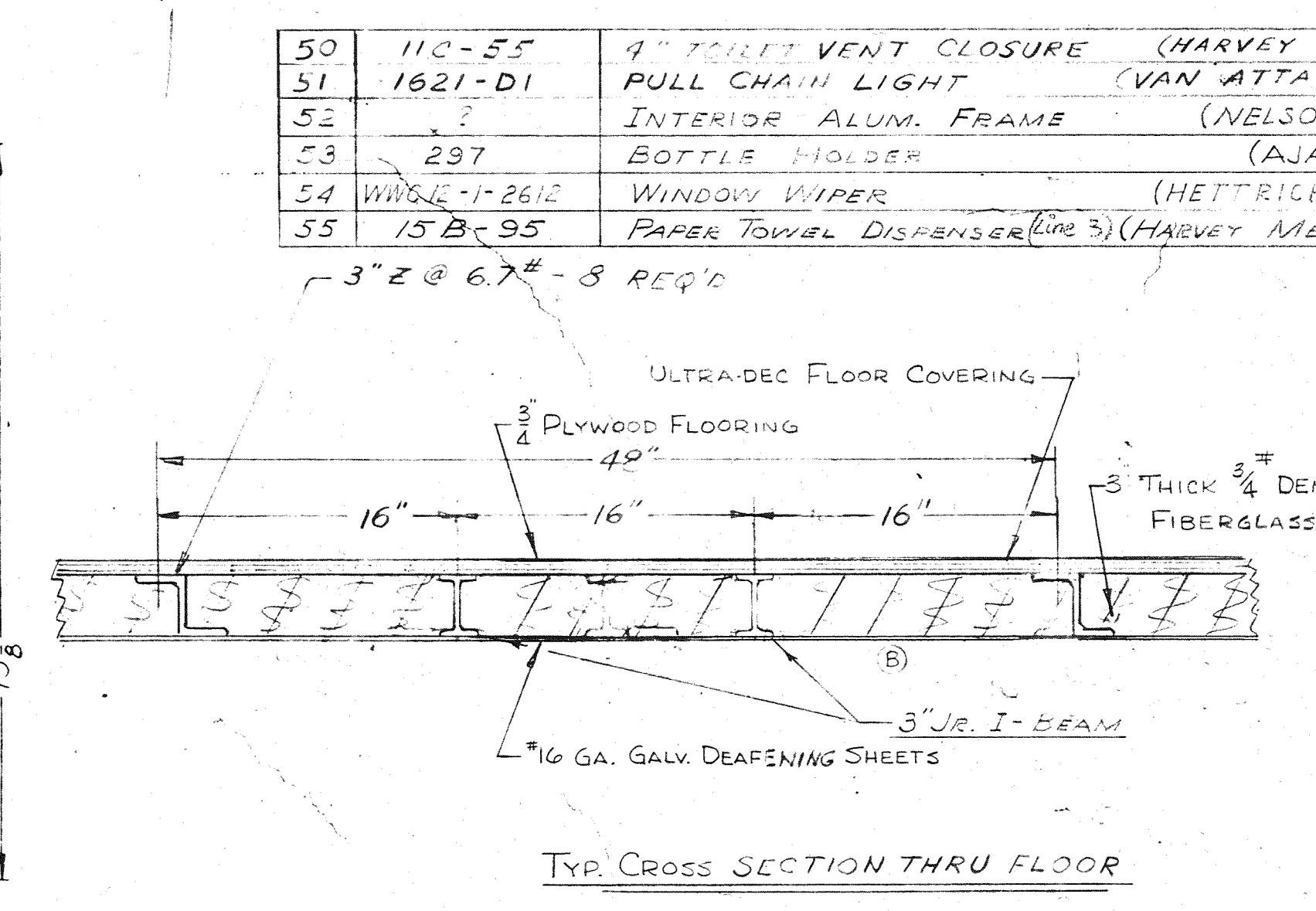
NOTE: ALL MOUNTING PLATES 3" x 3" x 1/8 GALV. STEEL  
3/8" HOLES

3/8" STD. BLACK PIPE

HEATER GUARD RAILING

DOOR WATER DEFLECTOR 2 REQD/CABOOSE

B END



REVISION	DESCRIPTION	DATE
N	ADDED HEATER GUARD RAILING & DETAIL OF BATTERY DEFLECTOR	1/27/54
M	CHANGED GRADE BAR	1/27/54
L	ADDED NOTE	1/27/54
K	ADD PAPER TOWEL DISPENSER	1/27/54
J	ADD DOOR STOP	1/27/54
I	REMOVED ITEM 21	1/27/54
H	REMOVED ITEM 21	1/27/54
G	REMOVED ITEM 21	1/27/54
F	80% YES	1/27/54
E	GENERAL REVISIONS	1/27/54

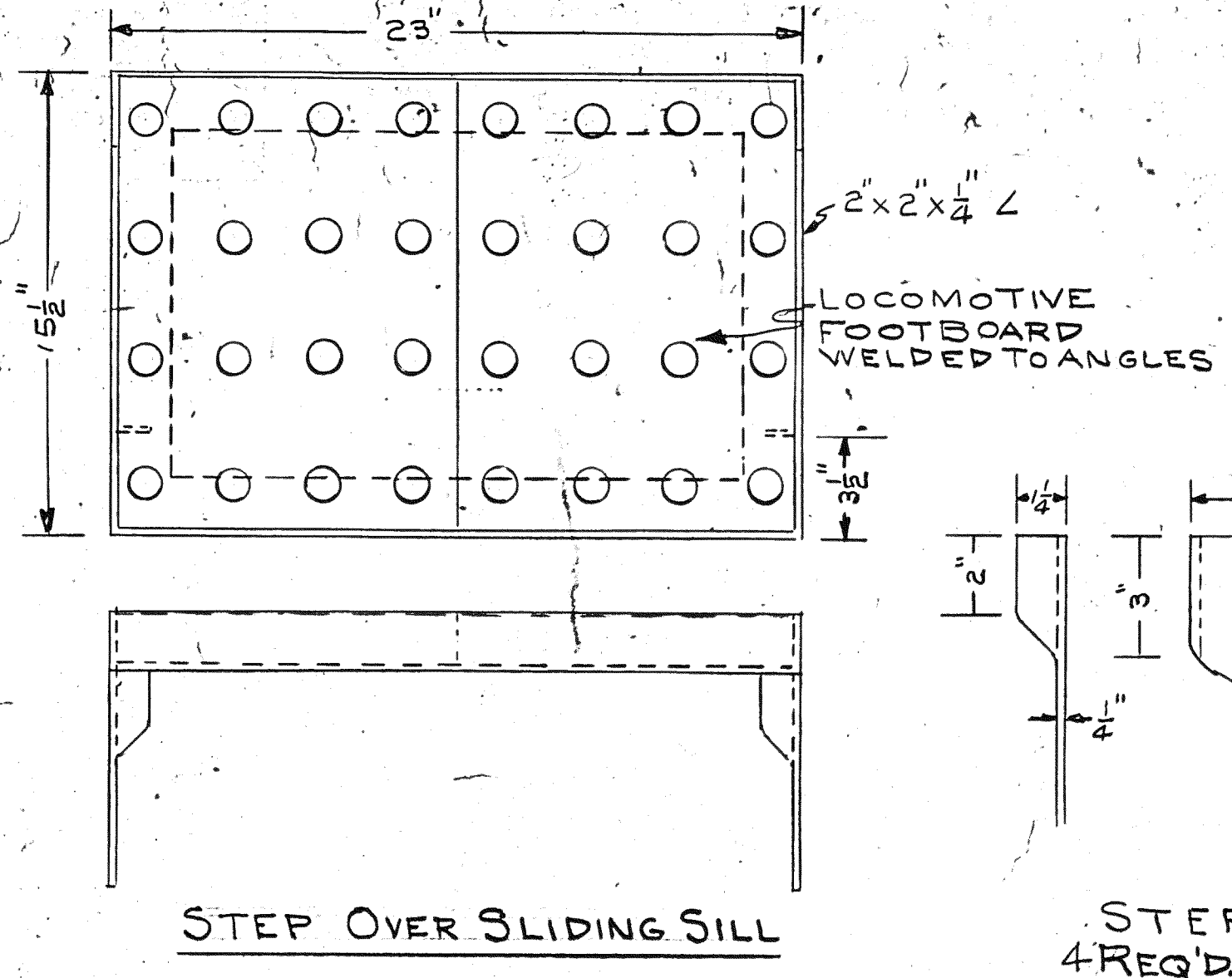
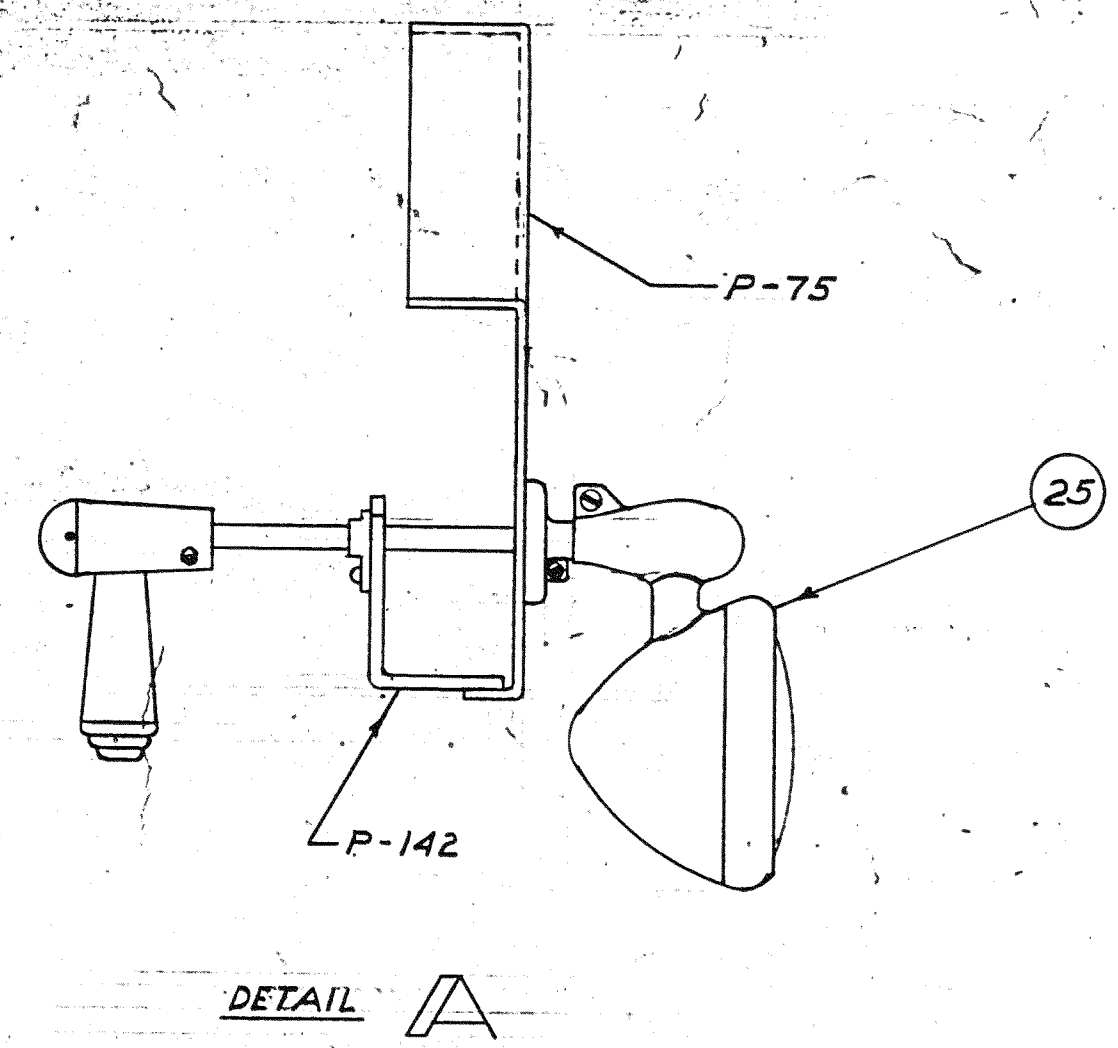
CABOOSE # 220-239

REVISION	DESCRIPTION	DATE
D	ADDED REVISIONS & WIND WIPER EQUIP.	1/27/54
C	ADDED REVISIONS & WIND WIPER EQUIP.	1/27/54
B	ADDED REVISIONS & WIND WIPER EQUIP.	1/27/54
A	ADDED REVISIONS & WIND WIPER EQUIP.	1/27/54

INTERNATIONAL CAR CO.  
RENTON, OHIO

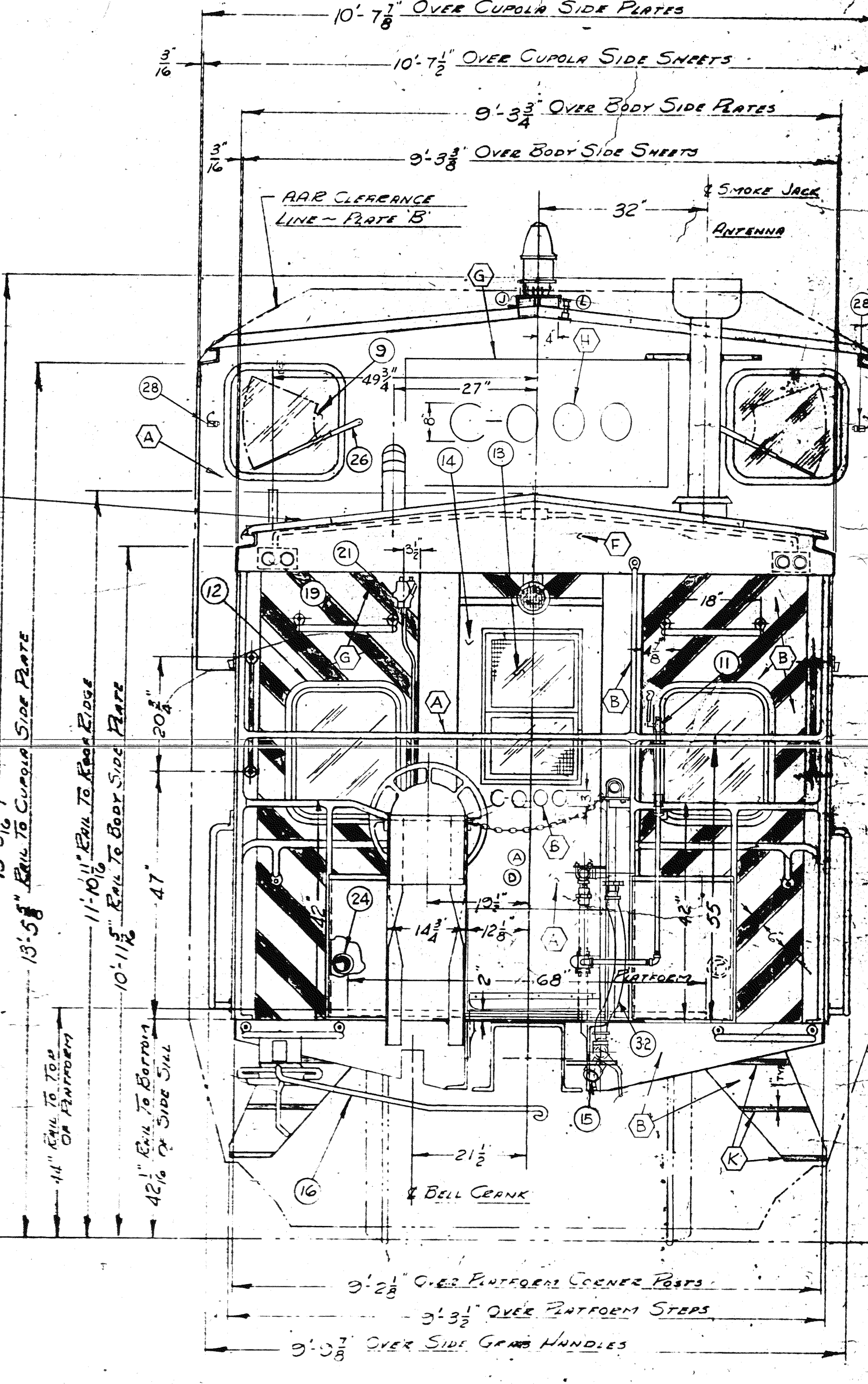
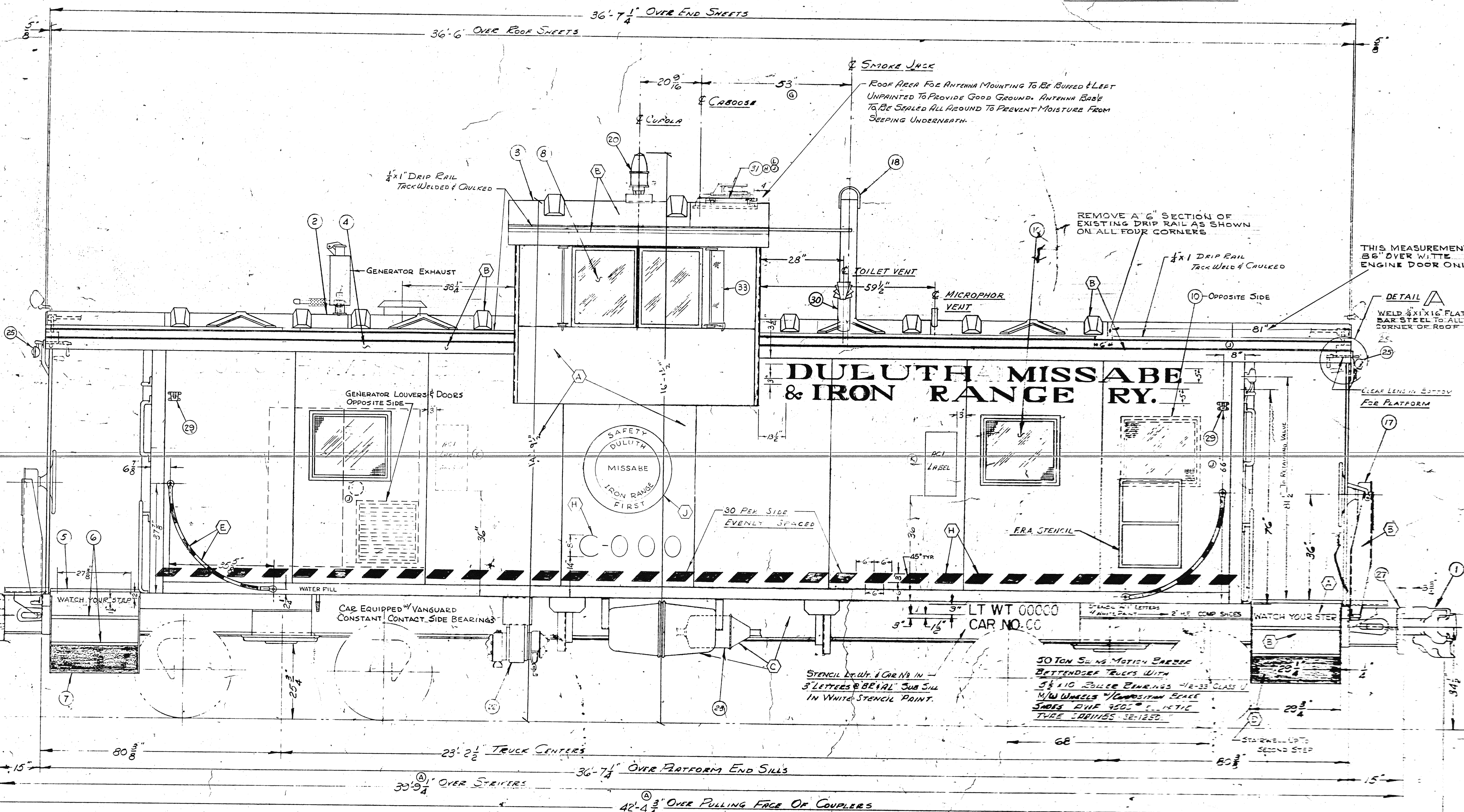
FLOOR PLAN 8  
INTERIOR ELEVATIONS  
SCALE: 3/8" = 1'-0"  
DATE: 1/27/54





NOTE:  
ALL SASH J.T. NELSON CO.  
ALL SASH GLAZED 1/8" LEXAN MR-4000  
OUTSIDE 1/8" SAFETY GLASS INSIDE

ITEM	MARK	DESCRIPTION	QTY
1	F70B-HT	COUPLER, BOTTOM OPERATED TYPE F	2
2	CR-23780	MAIN FLOOR X PANEL (STANRAY)	2
3	CR-23780	CUPOLA FLOOR X PANEL (STANRAY)	2
4	18D-36	2X SIDE PLATE (CARBUILDER)	2
5	C104-035	PLATFORM - OPEN TYPE GEARING (MORTON)	2
6	C103-145	PLATFORM STEPS, UPPER (MORTON)	2
7	C103-104	PLATFORM STEPS, LOWER (MORTON)	2
8	C3700-37	HORIZONTAL SLIDING SASH 20"X26" DOUBLE GLAZED	2
9	C2100-27	CUPOLA END FRIED SASH 20"X20" BEIGE TYPE	2
10	C3900-40	RAISE SASH 24"X20" DOUBLE GLAZED SCREEN	2
11	Fig. 1	BACK-UP WHISTLE (SHERBOURNE)	2
12	C2700-27	SASH SASH BODY END 20"X24" BREATHER TYPE	2
13	1700-19	BODY END DOOR SASH - UPPER DRIP LOWER SASH - SCREEN	2
14	S-1545-A	BODY END DOOR (M-F-L WOOD)	2
15	EG4380	1 1/2" ANGLE COCK (WABCO)	2
16	CU-24581	SWAMPY UNCOUPLING DEVICE	2
17	14465	HANDRAIL ASSEMBLY 1/2" G6 BELL CRANK (AJAX)	2
18	18D-33	STROKE JACK - LINE 2	2
19	18C-08	MARKER LIGHTS - RED GREEN LENS CLEAR BOTTOM LENS	2
20	27-5	GYRALITE (FEDERAL SIGN & SIGNAL)	2
21		3/8" RETAINER VALVE	2
22		ABD CONTROL VALVE	2
23		BENCH CYLINDER - ABU 10X12	2
24	FP-2450-1	STEP LIGHT (TRANSLITE)	2
25	6500-1C	TRACK LIGHT (UNITY MODEL S-6)	2
26	WV1212012	WINDSHIELD WIPER (TRICO) 1/2 V MOTOR (AMER BOSCH)	2
27	S-97C	COUPLER STRIKER - TYPE F (DRESSER)	2



DULUTH MISSABE & IRON RANGE RY.

STENCIL LETTERS & MARKINGS  
30 PER SIDE EVENLY SPACED  
ERA STENCIL  
WATCH YOUR STEP

GENERAL PAINT SPECIFICATIONS

- END**
  - A1. CAR BODY IS TO BE SANBLASTED SUFFICIENTLY TO REMOVE MILL SCALE, DIRT & GREASE IN PREPARATION TO PAINTING.
  - A2. ALL JOINTS & INACCESSIBLE AREAS TO RECEIVE ONE (1) COAT OF FITUP PAINT, EXCLUDING JOINTS TO BE WELDED.
  - A3. ONE COAT MORTELL CO. NO. 2039 SOUND DEARNING CEMENT TO BE APPLIED TO INSIDE OF SIDES & ENDS, UNDERSIDE OF ROOF & TOP SIDE OF FLOOR DEARNING SHEETS.
- TRUCKS**
  - B1. ONE (1) COAT DUPONT 685-8055 DELUXE BLACK PAINT
- UNDERFRAME**
  - C1. ONE (1) COAT HARRISON CHROMATE PRIMER
  - C2. ONE (1) COAT DUPONT 685-8055 DELUXE BLACK PAINT
- ROOF, SIDES & ENDS, EXTERIOR (LAST 15 CARS)**
  - D1. ONE (1) COAT DUPONT #828 50% EPOXY PRIMER
  - D2. ONE (1) COAT DUPONT #881-023 SURFACE-SEALER WITH V6-255 ACTIVATOR
  - D3. TWO (2) COATS DUPONT HARRISON POLYURETHANE ENAMEL #8267 USED AS APPLIED AS SHOWN
  - D4. TWO (2) COATS DUPONT YELLOW POLYURETHANE ENAMEL #8266 AS SHOWN
- ROOF, SIDES & ENDS, EXTERIOR (FIRST 5 CARS)**
  - D1. ONE (1) COAT URECAL #2403 TWO COMPONENT EPOXY PRIMER
  - D2. TWO (2) COATS URECAL #9194-5 MAROON POLYURETHANE PAINT, APPLIED AS SHOWN
  - D3. TWO (2) COATS URECAL #9103 YELLOW POLYURETHANE PAINT, APPLIED AS SHOWN
- INTERIOR**
  - E1. ONE (1) COAT CHROMATE PRIMER
  - E2. TWO (2) COATS OF ENAMEL PAINT, INTERIOR FINISH DUPONT POSTAL GREEN
  - E3. FLOOR TO RECEIVE ULTRADUR FLOOR COATING
- SAFETY APPLIANCES**
  - F1. EXTERIOR SAFETY GRAB HANDLES TO BE PAINTED AS SHOWN
  - F2. INTERIOR SAFETY GRAB HANDLES TO BE PAINTED WITH RED ENAMEL
- LETTERS & MARKINGS**
  - G. STENCILING TO BE APPLIED AS SHOWN

PAINT LEGEND

A	YELLOW POLYURETHANE ENAMEL #8267 AS SHOWN
B	MAROON POLYURETHANE ENAMEL #9194-5
C	BLACK ENAMEL #881-023
D	SLURRY WASH PRIMER
E	BLACK & WHITE ENAMEL
F	RED ENAMEL #8267
G	YELLOW POLYURETHANE ENAMEL #8266
H	20% DIA. SODIUM MEDIUM ON SILVER SCOTCHBRUSH TO

28	KT-72-1041	WINDSHIELD WASHER (AMERICAN BOSCH)	4
29	B-18555-F	MARKER LIGHT BRACKET (MILWAUKEE MALL IRON)	4
30	11C-55	4" TOILET VENT	1
31	PF-2003	LOW PROFILE AIRPENN (WABCO)	1
32		1 3/8" X 37" HOSE 1/2" #462834 1/2" THREADED NIPPLES	2
33	SC-871	PRIMEFLEX CO. WING WINDSHIELDS	4

M	NOTICE TO LINE CUSTODIAN AND PROPERTY	1/5/16
N	REVISIONS TO BE MADE TO THIS DRAWING	1/5/16
O	REVISIONS TO BE MADE TO THIS DRAWING	1/5/16
P	REVISIONS TO BE MADE TO THIS DRAWING	1/5/16
Q	REVISIONS TO BE MADE TO THIS DRAWING	1/5/16
R	REVISIONS TO BE MADE TO THIS DRAWING	1/5/16
S	REVISIONS TO BE MADE TO THIS DRAWING	1/5/16
T	REVISIONS TO BE MADE TO THIS DRAWING	1/5/16
U	REVISIONS TO BE MADE TO THIS DRAWING	1/5/16
V	REVISIONS TO BE MADE TO THIS DRAWING	1/5/16
W	REVISIONS TO BE MADE TO THIS DRAWING	1/5/16
X	REVISIONS TO BE MADE TO THIS DRAWING	1/5/16
Y	REVISIONS TO BE MADE TO THIS DRAWING	1/5/16
Z	REVISIONS TO BE MADE TO THIS DRAWING	1/5/16

EST. LT. WT. 55,000 LBS.  
ACT. LT. WT. 55,500 LBS.

DISTRIBUTION TO DEPTS.

DEPT.	DATE	BY
GENERAL ENGINEERING	1/5/16	MUSTAIN
DESIGN	1/5/16	MUSTAIN
CONSTRUCTION	1/5/16	MUSTAIN
OPERATIONS	1/5/16	MUSTAIN
SALES	1/5/16	MUSTAIN
TRAINING	1/5/16	MUSTAIN
RESEARCH	1/5/16	MUSTAIN
QUALITY CONTROL	1/5/16	MUSTAIN
FINANCE	1/5/16	MUSTAIN
LEGAL	1/5/16	MUSTAIN
PERSONNEL	1/5/16	MUSTAIN
PLANT	1/5/16	MUSTAIN
WORKSHOP	1/5/16	MUSTAIN
REPAIRS	1/5/16	MUSTAIN
MAINTENANCE	1/5/16	MUSTAIN
ENGINEERING	1/5/16	MUSTAIN
DESIGN	1/5/16	MUSTAIN
CONSTRUCTION	1/5/16	MUSTAIN
OPERATIONS	1/5/16	MUSTAIN
SALES	1/5/16	MUSTAIN
TRAINING	1/5/16	MUSTAIN
RESEARCH	1/5/16	MUSTAIN
QUALITY CONTROL	1/5/16	MUSTAIN
FINANCE	1/5/16	MUSTAIN
LEGAL	1/5/16	MUSTAIN
PERSONNEL	1/5/16	MUSTAIN
PLANT	1/5/16	MUSTAIN
WORKSHOP	1/5/16	MUSTAIN
REPAIRS	1/5/16	MUSTAIN
MAINTENANCE	1/5/16	MUSTAIN
ENGINEERING	1/5/16	MUSTAIN

INTERNATIONAL CAR CO.  
DMIR RR



